

# Spot the Difference The Secret is the Silt Curtain



Prepared by: G and E Co. Ltd  
May 2009



# Background

- The merit of using silt curtain to control water turbidity is indisputable
- There are 2 basic assumptions in using silt curtain

# The 2 Basic Assumptions

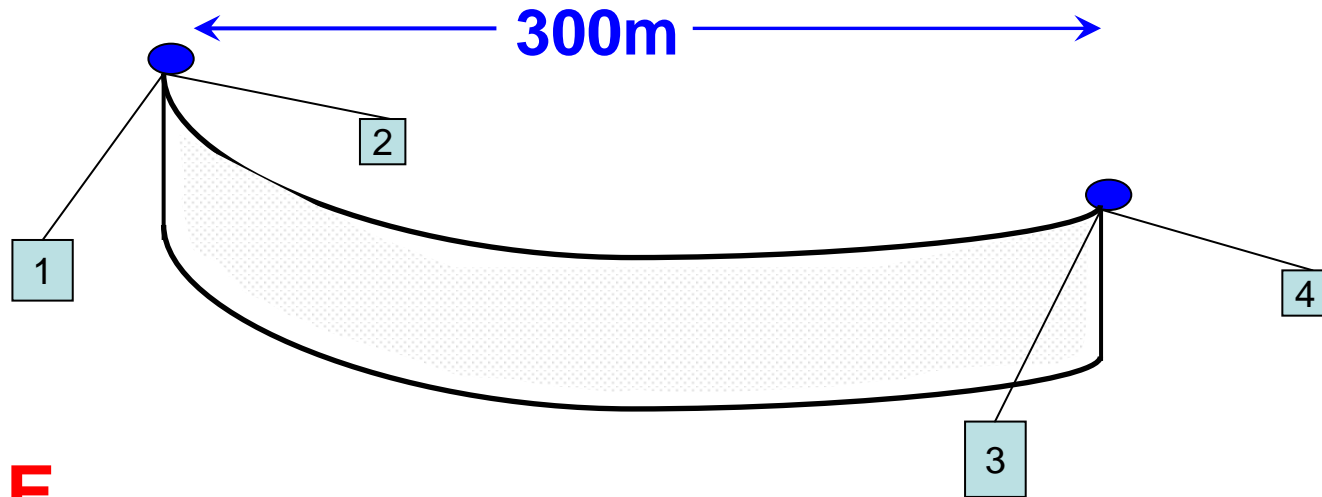
- It Won't break
  - This can be overcome by selecting high strength component, value-for-money silt curtain
- It needs anchoring system
  - Concrete block anchor at every 20m interval

Now,  
with breakthrough  
technology,  
we can save cost by reducing  
the number of anchoring  
blocks

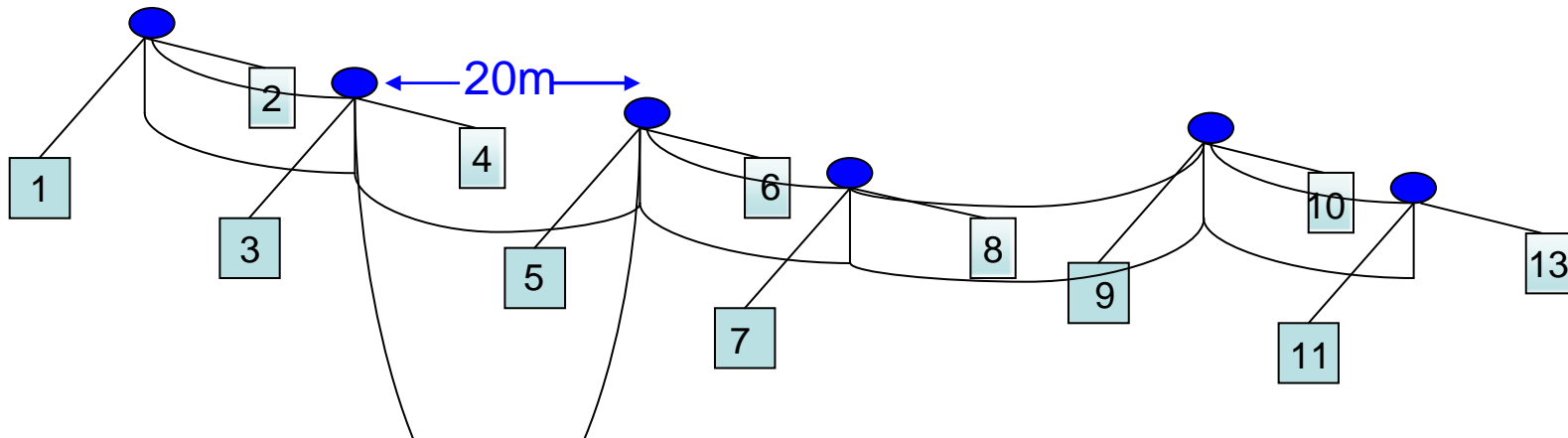
By 15 times

# Much Wider Span Saving Costly Anchoring

**NEW**



**BEFORE**



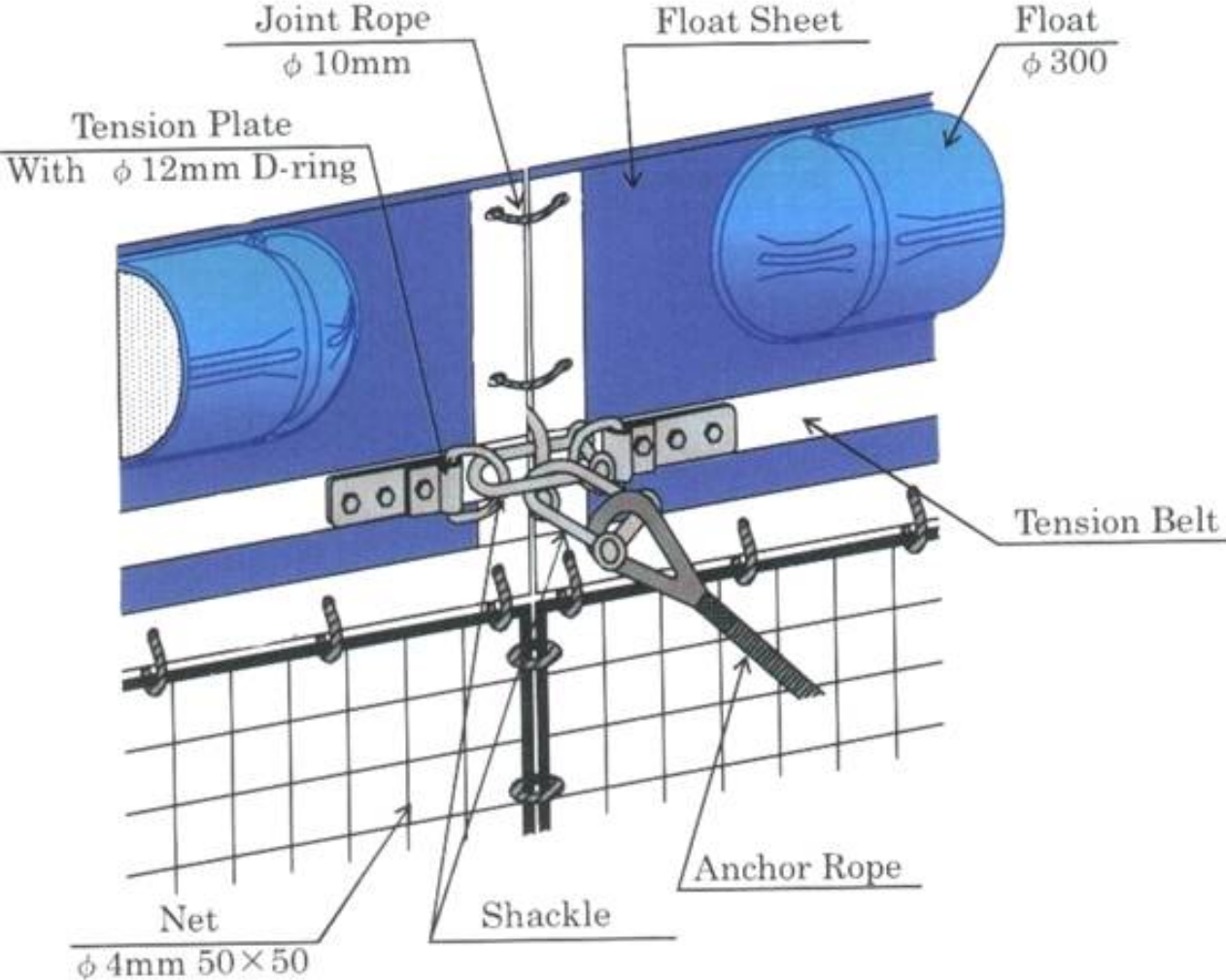
# Made Possible By

- New technology in manufacturing extra strong tension belt
- Designed to last in strong current, rough seas, extreme tidal and heavy wave

# Which Means

- **Less** anchor cost – only 4 anchor blocks for every 300 m
- **Less** maintenance cost
- **Less** construction time
- **Less** assemble & disassemble work

# Special Designed Tension Belt



# The Tension Belt



# Want to Find Out More

Contact Steven Lee at **G and E Co Ltd**



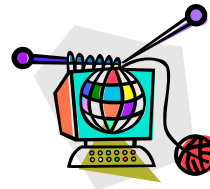
2508-0058



kitty@g-and-e.com



2570-0089



www.g-and-e.com